



# BA

**Socket Screw**  
**PRICE LIST**

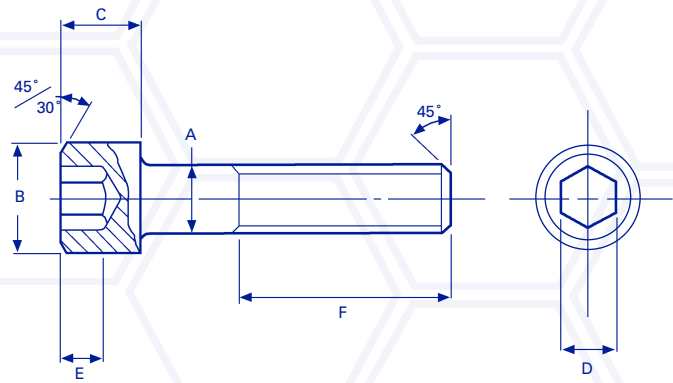




# B.A.

## SOCKET CAP SCREW

BS 2470 :1973



NOMINAL SIZE THREAD SIZE	A BODY DIAMETER		B HEAD DIAMETER		C HEAD HEIGHT		D HEXAGON SOCKET SIZE	E KEY ENGAGEMENT	F THREAD LENGTH	THREADS PER INCH
	max.	min.	max.	min.	max.	min.	nom.	min.		
8BA	0.0866	•	0.140	•	0.087	•	1/16	•	0.750	59.1
6BA	0.1102	0.1057	0.187	1.180	0.110	0.106	5/64	0.050	0.750	47.9
4BA	0.1417	0.1366	0.219	0.211	0.142	0.137	3/32	0.066	0.750	38.5
2BA	0.1850	0.1790	0.312	0.303	0.187	0.182	5/32	0.089	0.875	31.4

<b>8 BA</b> BOX 100	LENGTH	£ per 100	CODE
	3/16	26.75	820055
	1/4	23.25	820060
	5/16	35.85	820065
	3/8	25.05	820070
	1/2	31.50	820075
	3/4	36.70	820078

<b>4 BA</b> BOX 100	LENGTH	£ per 100	CODE
	3/16	63.70	820119
	1/4	17.05	820120
	5/16	25.70	820125
	3/8	12.95	820130
	7/16	16.95	820133
	1/2	12.85	820135
	5/8	16.20	820140
	3/4	16.70	820145
	7/8	22.70	820150
	1	17.05	820155
	1 1/4	23.90	820160
	1 1/2	25.90	820165
	1 3/4	35.45	820170
2	38.76	820172	

<b>2 BA</b> BOX 100	LENGTH	£ per 100	CODE
	1/4	25.40	820175
	5/16	26.00	820177
	3/8	22.15	820180
	7/16	15.45	820185
	1/2	11.70	820190
	5/8	16.60	820195
	3/4	12.35	820200
	7/8	22.80	820205
	1	14.05	820210
	1 1/4	21.20	820215
	1 1/2	22.40	820220
	1 3/4	31.05	820225
2	27.75	820230	
2 1/4	43.80	820235	
2 1/2	48.80	820240	

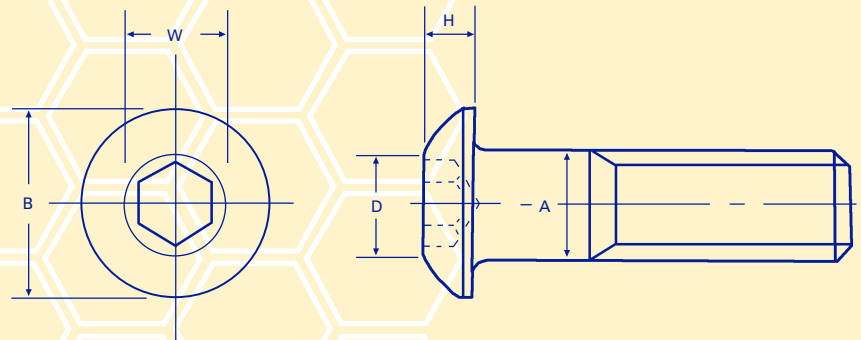
<b>6 BA</b> BOX 100	LENGTH	£ per 100	CODE
	3/16	45.30	820080
	1/4	16.50	820085
	5/16	20.35	820082
	3/8	16.50	820090
	7/16	19.70	820092
	1/2	16.20	820095
	5/8	22.50	820098
	3/4	24.95	820100
	1	27.10	820110
1 1/4	54.62	820115	



# B.A.

## SOCKET BUTTON HEAD SCREW

BS 2470 :1973



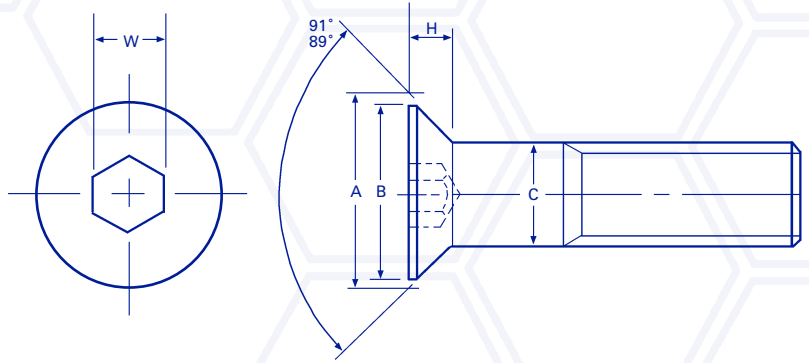
<b>2 BA</b> BOX 100	LENGTH	£ per 100	CODE
	1/4	19.00	819055
	5/16	22.90	819057
	3/8	19.30	819060
	1/2	22.50	819065
	5/8	28.30	819068
	3/4	24.05	819070
1	28.75	819075	

THREAD SIZE	THREADS PER INCH BA	B	A	D	H	W
		max.	max.	max.	max.	nom.
2BA	31.4	0.361	0.1850	0.186	0.101	1/8



# B.A. SOCKET COUNTERSUNK SCREW

BS 2470 :1973



THREAD SIZE	THREADS PER INCH BA	A max	B min	C max	H	W nom
6BA	47.9	0.211	0.189	0.1102	0.050	0.050
4BA	38.5	0.269	0.243	0.1417	0.063	1/16
2BA	31.4	0.351	0.319	0.1850	0.083	3/32

<b>6 BA</b>	LENGTH	£ per 100	CODE	
	1/4	17.20	818035	
	5/16	28.15	818037	
	3/8	30.25	818040	
	1/2	20.70	818045	
	5/8	35.11	818046	
	3/4	38.95	818047	
	1	43.95	818050	
	<b>BOX 100</b>			

<b>4 BA</b>	LENGTH	£ per 100	CODE
	3/16	29.80	818052
	1/4	18.30	818055
	5/16	26.20	818060
	3/8	18.70	818065
	7/16	31.33	818067
	1/2	19.05	818070
	5/8	26.80	818075
	3/4	28.75	818080
	1	31.95	818082
<b>BOX 100</b>			

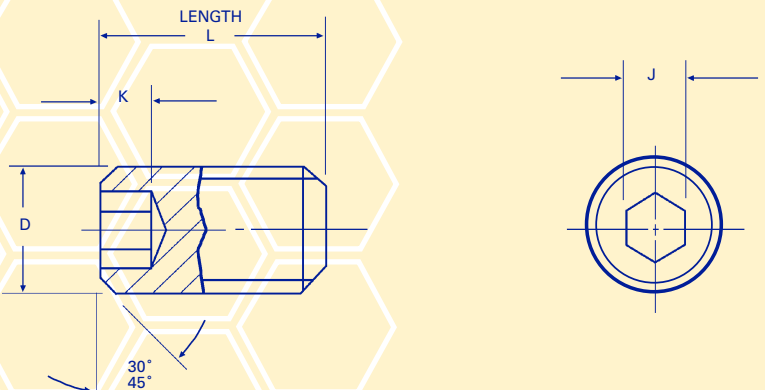
<b>2 BA</b>	LENGTH	£ per 100	CODE
	1/4	22.70	818085
	5/16	25.60	818090
	3/8	17.20	818095
	1/2	16.50	818100
	5/8	19.35	818105
	3/4	19.70	818110
	1	21.10	818115
	1 1/4	42.65	818120
	1 1/2	49.15	818125
<b>BOX 100</b>			



# B.A.

## SOCKET SET SCREW

BS 2470 :1973



THREAD SIZE	D BASIC SCREW dia.	J HEXAGON SOCKET SIZE (nom.)	K KEY ENGAGEMENT (min.)	shortest nominal length to which dimension K applies	C Cup point dia. (except hexagon and small cup point)		H Hexagon cup point	
					max	min	max	min
6BA	0.1102	0.050	0.040	1/8	0.061	0.051	0.056	0.051
4BA	0.1417	1/16	0.050	3/16	0.074	0.064	0.069	0.062
2BA	0.1850	3/32	0.075	3/16	0.102	0.088	0.095	0.086

<b>6 BA</b>	LENGTH	£ per 100	CODE
	1/8	13.45	924300
	3/16	11.55	924290
	1/4	15.10	924330
	5/16	15.00	924310
	3/8	15.79	924340
	1/2	22.10	924350
	5/8	24.65	924360
	3/4	20.80	924370
<b>BOX 100</b>			

<b>4 BA</b>	LENGTH	£ per 100	CODE
	1/8	15.40	924200
	3/16	13.78	924190
	1/4	15.20	924220
	5/16	16.75	924210
	3/8	17.90	924230
	7/16	21.70	924235
	1/2	18.50	924240
	5/8	22.96	924250
	3/4	24.12	924260
1	32.45	924270	
<b>BOX 100</b>			

<b>2 BA</b>	LENGTH	£ per 100	CODE
	1/8	12.20	924088
	3/16	12.70	924090
	1/4	12.90	924100
	5/16	13.50	924105
	3/8	13.60	924110
	7/16	16.90	924115
	1/2	17.40	924120
	5/8	22.60	924130
	3/4	22.75	924140
1	27.10	924150	
1 1/4	35.41	924160	
<b>BOX 100</b>			

# BRIGHTON BEST FULL SERVICE PRODUCT LINES

## SOCKET HEAD CAP SCREWS

001 1960 Alloy  
012 Stainless  
014 316 Stainless  
015 Alloy Nylon Patch  
271 Alloy Nylon Pellet  
016 Stainless Nylon Patch  
017 Silicon-Bronze  
018 Monel  
019 Lo-Head Alloy  
307 1936 Alloy  
532 Metric Alloy  
538 Metric Stainless  
581 Semi-Standard Alloy  
592 Semi-Standard Stainless  
531 Lo-Head Metric

## SOCKET SET SCREWS

101 Alloy Cup Pt. Imperial  
102 Stainless Cup Pt.  
104 316 Stainless Cup Pt.  
105 Alloy Cup Pt. Nylon Patch  
281 Alloy Cup Pt. Nylon Pellet  
106 Stainless Cup Pt. Nylon Patch  
107 Brass Cup Pt.  
108 Monel Cup Pt.  
111 Alloy Knurled Pt.  
121 Alloy Cone Pt.  
125 Alloy Cone Pt. Nylon Patch  
131 Alloy Oval Pt.  
135 Alloy Oval Pt. Nylon Patch  
141 Alloy 1/2 Dog Pt.  
145 Alloy 1/2 Dog Pt. Nylon Patch  
151 Alloy Flat Pt.  
155 Alloy Flat Pt. Nylon Patch  
533 Alloy Metric Cup Pt.  
539 Stainless Metric Cup Pt.  
601 Semi-Standard Alloy Cup Pt.  
603 Semi-Standard Flat Pt.  
604 Semi-Standard Alloy Cone Pt.  
605 Semi-Standard Alloy Oval Pt.  
606 Semi-Standard Alloy 1/2 Dog Pt.  
607 Semi-Standard Alloy Full Dog Pt.  
703 Semi-Standard Stainless Flat Pt.  
704 Semi-Standard Stainless Cone Pt.  
705 Semi-Standard Stainless Oval Pt.  
706 Semi-Standard Stainless 1/2 Dog  
707 Semi-Standard Stainless Full Dog Pt. Stainless

## SOCKET BUTTONHEAD SCREWS

201 Alloy Imperial  
202 Stainless  
205 Alloy Nylon Patch  
291 Alloy Nylon Pellet  
535 Alloy Metric  
701 Semi-Standard Alloy  
702 Semi-Standard Stainless

## SOCKET COUNTERSUNK SCREWS

211 Alloy Imperial  
212 Stainless  
215 Alloy Nylon Patch  
293 Alloy Nylon Pellet  
534 Alloy Metric  
712 Semi-Standard Alloy  
721 Semi-Standard Stainless

## SHOULDER (STRIPPER) BOLTS

221 Alloy Imperial  
225 Alloy Nylon Patch  
295 Alloy Nylon Pellet  
537 Alloy Metric  
710 Semi-Standard Alloy  
711 Semi-Standard Stainless

## PIPE PLUGS

230 Brass  
231 Alloy Dry Seal (3/4")  
232 Stainless Dry Seal (3/4")  
233 Alloy Flush Seal (7/8")

## DOWEL PINS

241 Alloy Imperial  
242 Stainless  
251 Alloy Oversize  
261 Pull Out Alloy  
536 Alloy Metric

## NUTS

305 Nylon Inset Imperial  
306 US Grade 8 Hex (Zinc-Yellow)  
308 Unplated Large Dia. Nuts  
310 Nylon Inset Stainless  
315 Metric Class 10 Hex (Zinc-Blue)  
444 L9® Hex Nut  
446 L9® Stover Locknut  
812 Metric Nylon Insert (Zinc-Blue)

## WASHERS

013 High Collar Lock  
341 US Grade 8 Lock (Zinc-Yellow)  
351 US Grade 8 Metric Lock (Zinc-Yellow)  
361 US Grade 8 Metric Flat (Zinc-Blue)  
371 US Grade 8 Metric Flat (Zinc-Blue)  
448 L9® Tension Washer

## SQUARE HEAD SCREWS

407 Brass Cup Pt.  
408 Stainless Cup Pt.  
409 Steel Cup Pt.  
410 Steel Dog Pt.  
411 Larger-Longer  
412 Fine Thread  
413 Steel Flat Pt.  
414 Steel Cone Pt.  
415 Steel Oval Pt.  
805 Alloy Cup

## HEXAGON BOLTS & SET SCREWS

440 L9® Screw Alloy  
450 IS Grade 8 (Zinc-Yellow) Alloy  
451 US Giant Black Grade 8 Alloy  
460 Metric Grade 10.9 (Zinc-Blue) Alloy  
478 Steel Countersunk Slotted Grade 2  
815 Metric Grade 8.8 (Zinc-Blue)

## SOCKET SET TIPPED

475 Alloy Nylon Tip  
476 Alloy Brass Tip  
477 Stainless Nylon Tip

## HEX KEYS

509 Short Arm  
519 Long Arm  
529 Metric Assortments  
529 T-Handle Assortments  
530 Metric Short Arm  
528 Metric Long Arm

## SPRING PINS

801 Steel  
803 Stainless

## TAMPER RESISTANT

806 Button Alloy  
807 Button Stainless  
808 Countersunk Socket Alloy  
809 Countersunk Socket Stainless  
810 Socket Cap-Alloy  
811 Socket Cap-Stainless  
510 Hex Key



# BrightonBest

## Socket Screw

24 KELVIN WAY TRADING ESTATE  
WEST BROMWICH WEST MIDLANDS  
B70 7TW UNITED KINGDOM  
PHONE: +44 (0) 121 553 4674  
FAX: +44 (0) 121 553 5024  
[www.brightonbest.co.uk](http://www.brightonbest.co.uk)