



FOUNDED 1925®



Brighton Best Socket Screw

**SOCKET
FLANGE
BUTTONS**

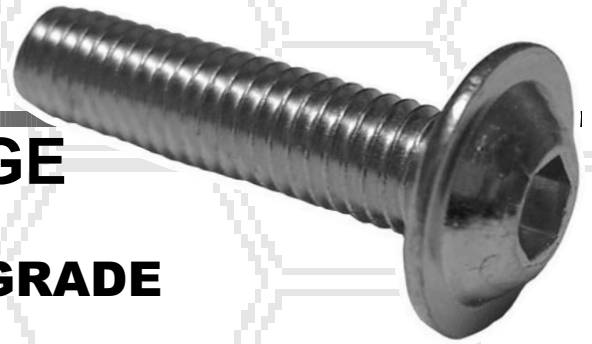
SELF COLOUR and Zinc



METRIC

SOCKET FLANGE BUTTON

RJS 2671 10•9 GRADE



SELF COLOUR

Diameter	Length	Box	Weight	Code
M3 KEY SIZE 2mm A/F 0.50p	6	200	0.04	965050
	8	200	0.05	965052
	10	200	0.05	965054
	12	200	0.08	965056
	14	200	0.08	965058
	15	200	0.09	965059
	16	200	0.09	965060
18	200	0.09	965062	

Diameter	Length	Box	Weight	Code
M4 KEY SIZE 2.5mm A/F 0.70p	6	200	0.12	965080
	8	200	0.13	965082
	10	200	0.14	965084
	12	200	0.14	965086
	14	200	0.15	965088
	16	200	0.18	965090
	18	200	0.18	965092
	20	200	0.38	965094
	25	200	0.43	965098
30	200	0.62	965102	

Diameter	Length	Box	Weight	Code
M5 KEY SIZE 3mm A/F 0.80p	8	200	0.24	965147
	10	200	0.24	965150
	12	200	0.25	965152
	16	200	0.27	965158
	20	200	0.35	965162
	25	200	0.43	965164
	30	200	0.47	965166
	35	100	0.66	965168
40	100	0.81	965170	

Diameter	Length	Box	Weight	Code
M6 KEY SIZE 4mm A/F 1.00p	8	200	0.32	965206
	10	200	0.33	965208
	12	200	0.34	965210
	16	200	0.41	965216
	20	200	0.50	965218
	25	200	0.55	965222
	30	200	0.65	965226
	35	200	0.81	965228
	40	100	0.92	965230

Diameter	Length	Box	Weight	Code
M8 KEY SIZE 5mm A/F 1.25p	10	200	0.50	965280
	12	200	0.55	965282
	16	200	0.79	965286
	20	200	0.87	965290
	25	100	1.05	965293
	30	100	1.31	965295
	35	100	1.48	965298
	40	100	1.71	965300
	45	100	1.92	965306
	50	50	2.06	965309
	60	50	2.51	965315

Diameter	Length	Box	Weight	Code
M10 KEY SIZE 6mm A/F 1.50p	16	100	1.50	965386
	20	100	1.81	965390
	25	100	1.95	965395
	30	100	2.18	965398
	35	50	2.40	965404
	40	50	2.68	965406
	50	50	3.00	965410

tested tried & true®

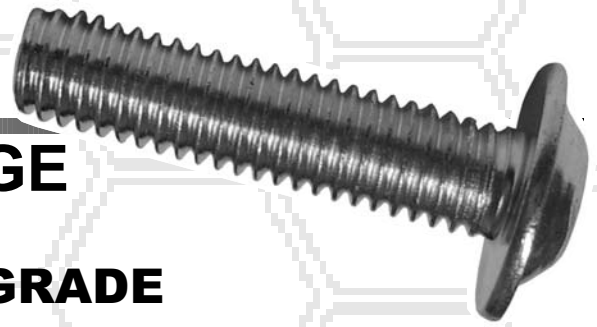




METRIC

SOCKET FLANGE BUTTON ZINC

RJS 2671 10•9 GRADE



CHEMICALLY ZINC PLATED

Diameter	Length	Box	Weight	Code
M3 KEY SIZE 2mm A/F 0.50p	6	200	0.04	965050
	8	200	0.05	965052
	10	200	0.05	965054
	12	200	0.08	965056
	16	200	0.09	965060

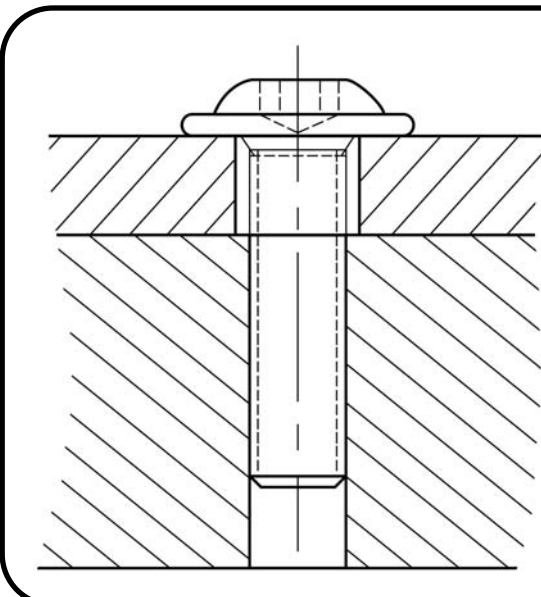
Diameter	Length	Box	Weight	Code
M4 KEY SIZE 2.5mm A/F 0.70p	6	200	0.12	965080
	8	200	0.13	965082
	10	200	0.14	965084
	12	200	0.14	965086
	16	200	0.18	965090
	18	200	0.18	965092
	20	200	0.38	965094
	25	200	0.43	965098
30	200	0.62	965102	

Diameter	Length	Box	Weight	Code
M5 KEY SIZE 3mm A/F 0.80p	8	200	0.24	965147
	10	200	0.24	965150
	12	200	0.25	965152
	16	200	0.27	965158
	20	200	0.35	965162
	25	200	0.43	965164
	30	200	0.47	965166
	35	100	0.66	965168
	40	100	0.81	965170

Diameter	Length	Box	Weight	Code
M6 KEY SIZE 4mm A/F 1.00p	8	200	0.32	965206
	10	200	0.33	965208
	12	200	0.34	965210
	16	200	0.41	965216
	20	200	0.50	965218
	25	200	0.55	965222
	30	200	0.65	965226
	35	200	0.81	965228
	40	100	0.92	965230

Diameter	Length	Box	Weight	Code
M8 KEY SIZE 5mm A/F 1.25p	10	200	0.50	965280
	12	200	0.55	965282
	16	200	0.79	965286
	20	200	0.87	965290
	25	100	1.05	965293
	30	100	1.31	965295
	35	100	1.48	965298
	40	100	1.71	965300
	45	100	1.92	965306
	50	50	2.06	965309
60	50	2.51	965315	

Diameter	Length	Box	Weight	Code
M10 KEY SIZE 6mm A/F 1.50p	16	100	1.50	965386
	20	100	1.81	965390
	25	100	1.95	965395
	30	100	2.18	965398
	35	50	2.40	965404
	40	50	2.68	965406

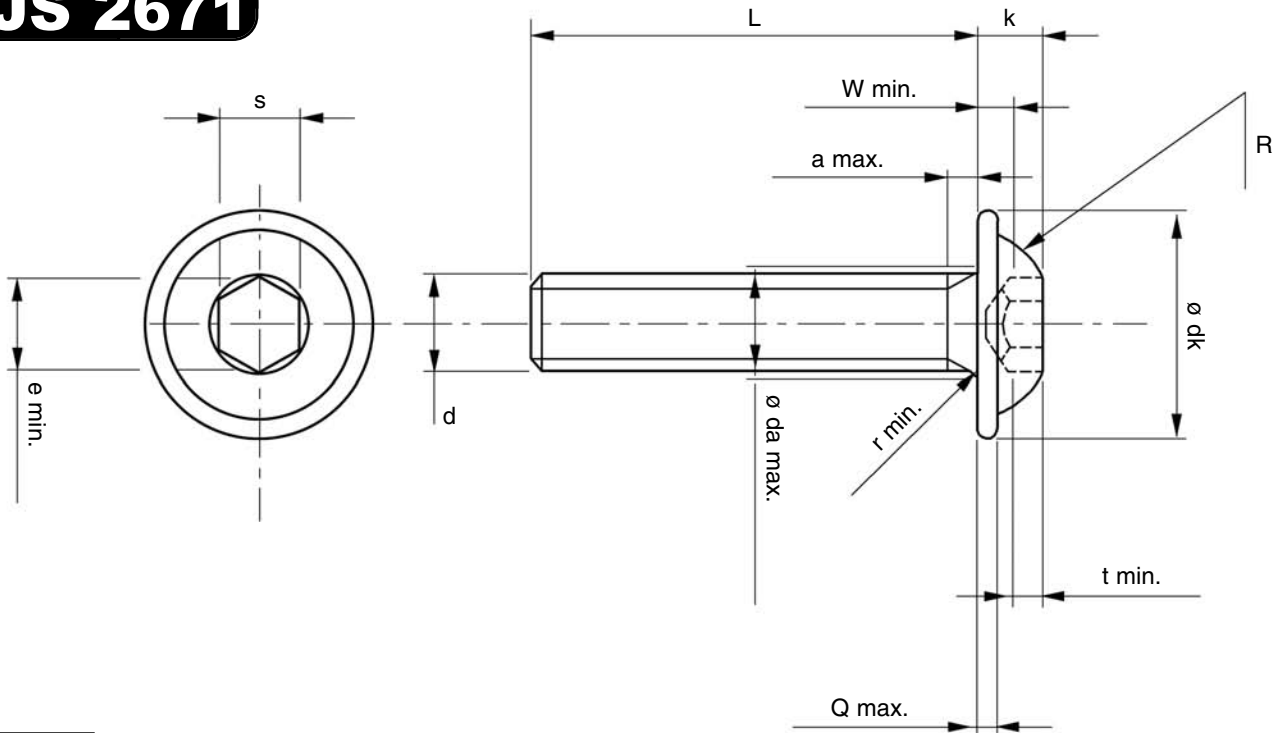


The rounded design of the Flange button head is ideal for decorative situations; it also protects the adjacent parts from scrapes and other damage.

The larger under head integral bearing surface eliminates the need for washers and reduces indentation damage to the mating parts.

HEXAGON SOCKET BUTTON HEAD SCREWS WITH FLANGE HEAD 10.9

RJS 2671



BN 11252

	Pitch	a	da	dk		e	k		r	s			t	W	Q	R	B	
		max.	max.	max.	min.	min.	max.	min.	min.	nom.	max.	min.		min.	max.		max.	min.
M3	0.500	1.000	3.600	7.100	6.500	2.300	1.700	1.400	0.100	2.000	2.045	2.020	1.050	0.200	0.700	3.000	5.300	4.900
M4	0.700	1.400	4.700	9.400	8.790	2.870	2.200	1.950	0.200	2.500	2.560	2.520	1.300	0.300	0.800	4.100	7.300	6.740
M5	0.800	1.600	5.700	11.800	10.800	3.440	2.800	2.500	0.200	3.000	3.080	3.020	1.600	0.380	1.000	5.200	9.200	8.540
M6	1.000	2.000	6.800	13.600	12.900	4.580	3.300	3.000	0.250	4.000	4.095	4.020	2.100	0.740	1.200	7.500	10.200	9.570
M8	1.250	2.500	9.200	17.800	16.200	5.720	4.400	4.100	0.400	5.000	5.095	5.020	2.600	1.052	1.500	7.500	13.300	12.770
M10	1.500	3.000	11.200	22.000	19.900	6.860	5.500	5.200	0.400	6.000	6.095	6.020	3.500	1.450	1.800	10.000	17.500	16.170
M12	1.750	3.500	13.700	24.000	23.200	9.150	6.600	6.240	0.600	8.000	8.115	8.025	4.600	1.630	2.400	11.000	20.300	19.870

FOR THE OTHER CHARACTERISTICS SEE "ISO 7380"

BrightonBest

Socket Screw

24 KELVIN WAY TRADING ESTATE
WEST BROMWICH
WEST MIDLANDS
B70 7TW
UNITED KINGDOM

PHONE: +44 (0) 121 553 4674
FAX: +44 (0) 121 553 5024
WEB: www.brightonbest.CO.UK
EMAIL: sales@brightonbest.org

